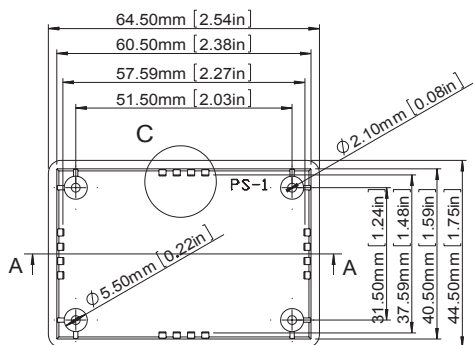
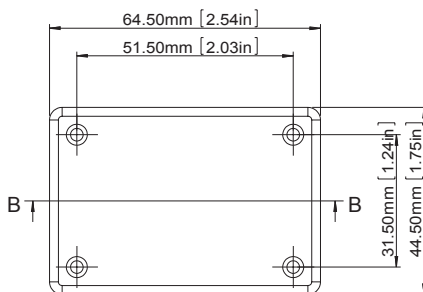


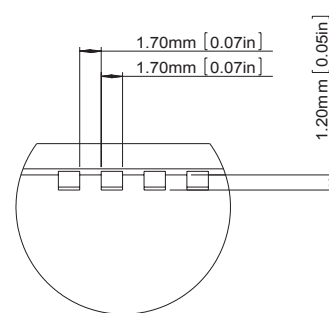
G1031B



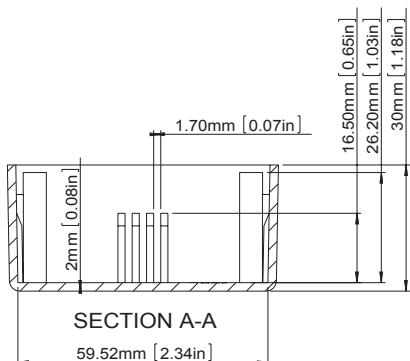
BASE



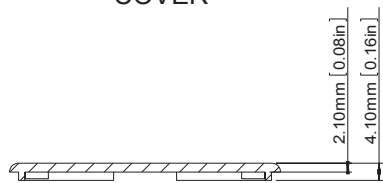
COVER



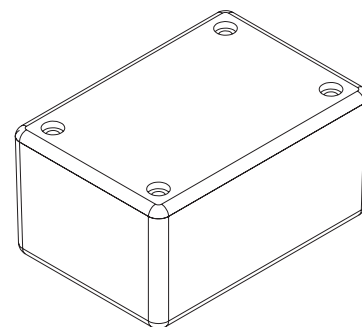
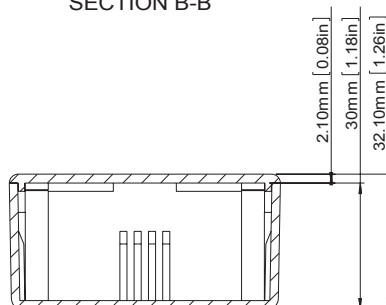
SECTION C
SCALE 3:1



SECTION A-A



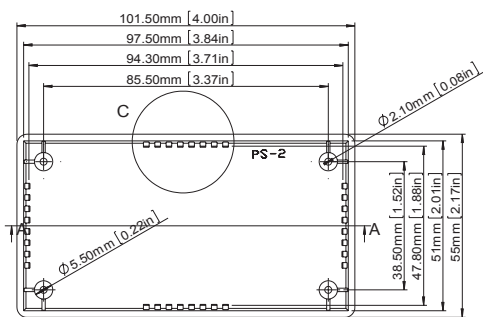
SECTION B-B



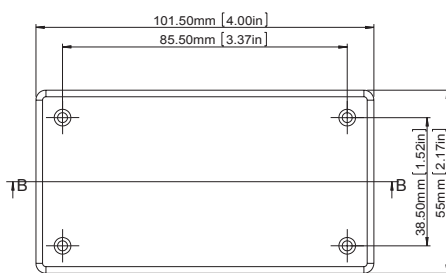
According to ISO 2768-m

Measuring DIM=L	Tolerances
0.5<L<=3.0mm	±0.1mm
3.0<L<=6.0mm	±0.1mm
6.0<L<=30.0mm	±0.2mm
30.0<L<=120.0mm	±0.3mm
120.0<L<=400.0mm	±0.5mm
400.0<L<=1000.0mm	±0.8mm

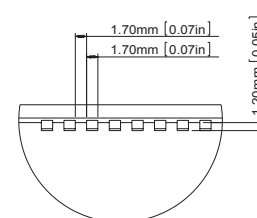
G1032B



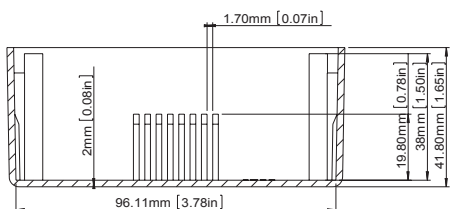
BASE



COVER



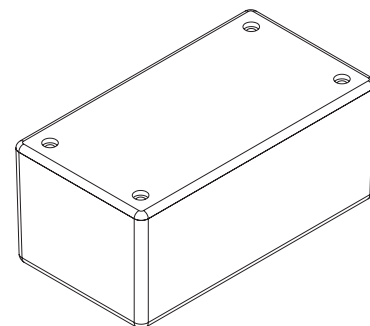
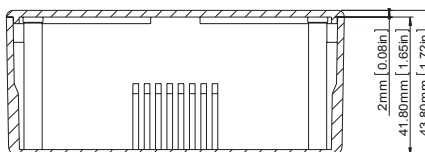
SECTION C
SCALE 2:1



SECTION A-A



SECTION B-B



According to ISO 2768-m

Measuring DIM=L	Tolerances
0.5<L<=3.0mm	±0.1mm
3.0<L<=6.0mm	±0.1mm
6.0<L<=30.0mm	±0.2mm
30.0<L<=120.0mm	±0.3mm
120.0<L<=400.0mm	±0.5mm
400.0<L<=1000.0mm	±0.8mm