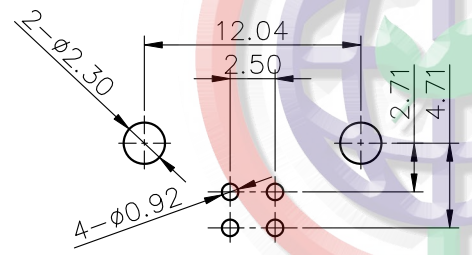
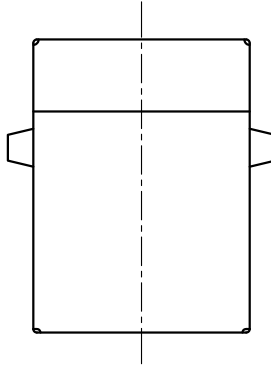
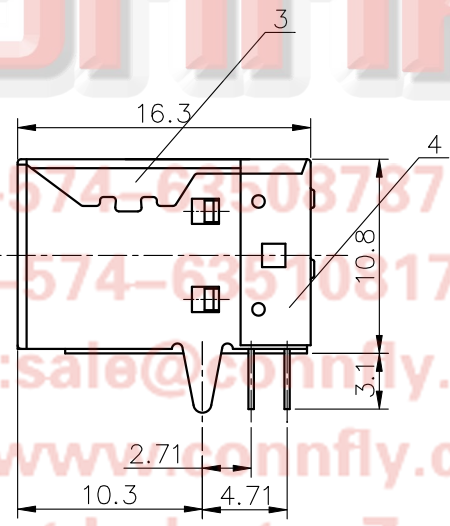
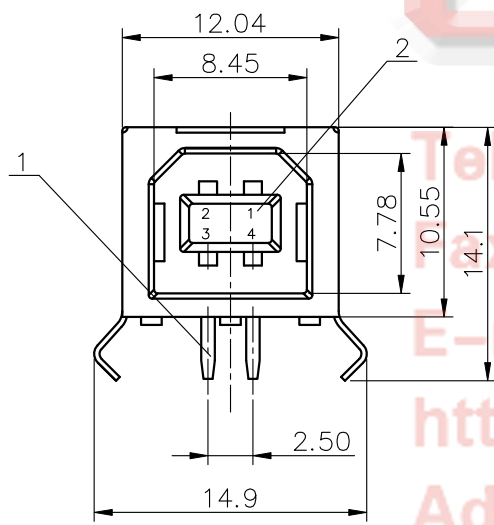


REV.	DESCRIPTION	DRAWN	CHECKED	APPROVED
A	NEW RELEASE	LJH 05/10/05'		LJC 05/10/05'
B	ADD SHELL MATERIAL TYPE	JLZ 04/09/15'		



RECOMMEND PCB LAYOUT  
TOLERANCE=±0.05



NOTES:

- SPECIFICATIONS:
  - CONTACT RESISTANCE: 30mΩ max.
  - INSULATION RESISTANCE: 1000MΩ min.
  - CURRENT RATING: 1.5A.
  - VOLTAGE RATING: 30VDC.
  - DIELECTRIC WITHSTANDING VOLTAGE: AC 500V FOR 1 Minute.

- MATERIALS:
  - HOUSING: PBT+30% GLASS FIBER(UL 94-0).
  - CONTACT: COPPER ALLOY
  - SHELL: COPPER ALLOY OR STEEL.

3. PRODUCT NUMBER CODE:

DS1099 - X X X - X

- MATERIAL OF SHELL (B)
  - Fe: Steel
  - N/A: Copper Alloy
- CONTACT PLATING
  - 0: Selective Gold Flash
  - 03: Selective Gold 3u"
  - 30: Selective Gold 30u"
- SHELL PLATING
  - N: Nickel
  - 6: Tin
- COLOR OF HOUSING:
  - W: WHITE
  - B: BLACK
- SERIES No.
  - DS1099 series

**CONNFLY**  
 Tel: 86-574-63503737  
 Fax: 86-574-63510817  
 E-mail: sale@connfly.com  
 http://www.connfly.com  
 Add: East Industry Zone KuangYan  
 Town Cixi Ningbo China  
 P.C: 315333

GENERAL TOLERANCE				ANGLE TOLERANCE		PROJECTION		TITLE
4	BACK SHELL	STEEL	SEE NOTES	X.	±0.60	X.	±5°	USB B TYPE R/A DIP TYPE
3	FRONT SHELL	COPPER ALLOY OR STEEL	SEE NOTES	.X	±0.38	.X	±3°	
2	HOUSING	PBT	UL 94 V-0	.XX	±0.25	.XX	±2°	
1	CONTACT	COPPER ALLOY	SEE NOTES	DRAWING TYPE		CUSTOMER		
ITEM	PART NAME	MATERILAS	FINISHED	SCALE	1:1	SHEET	1 OF 1	
				DRAWING NO.	C-DS1099-XXX-X-B			

**晨翔电子有限公司**  
**CONNFLY CONNFLY ELECTRONIC CO., LTD**